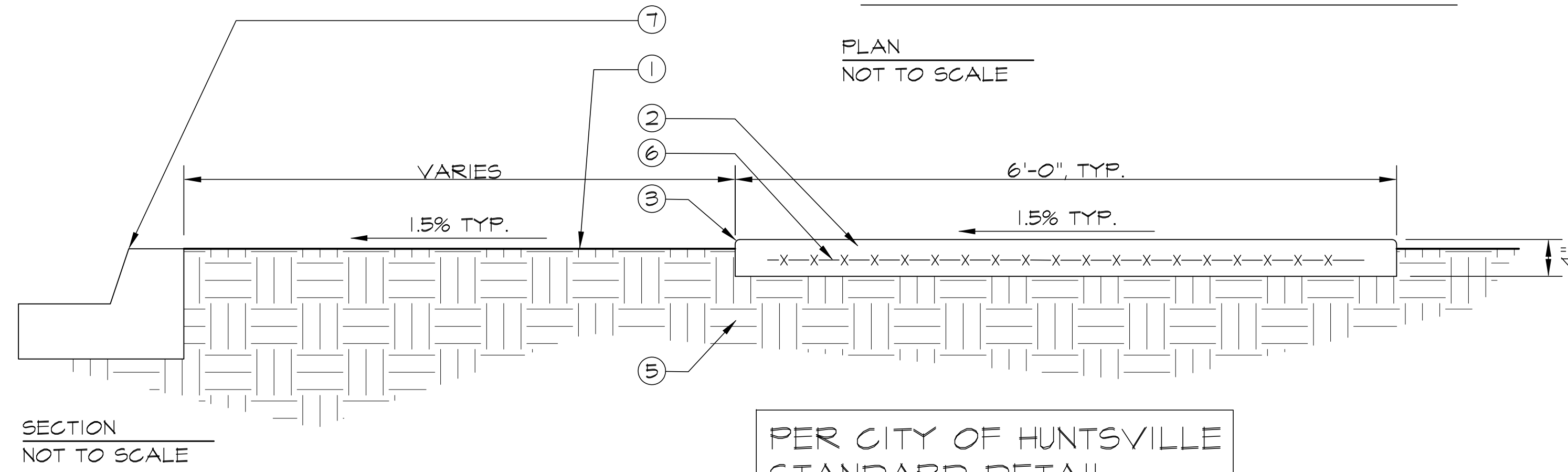
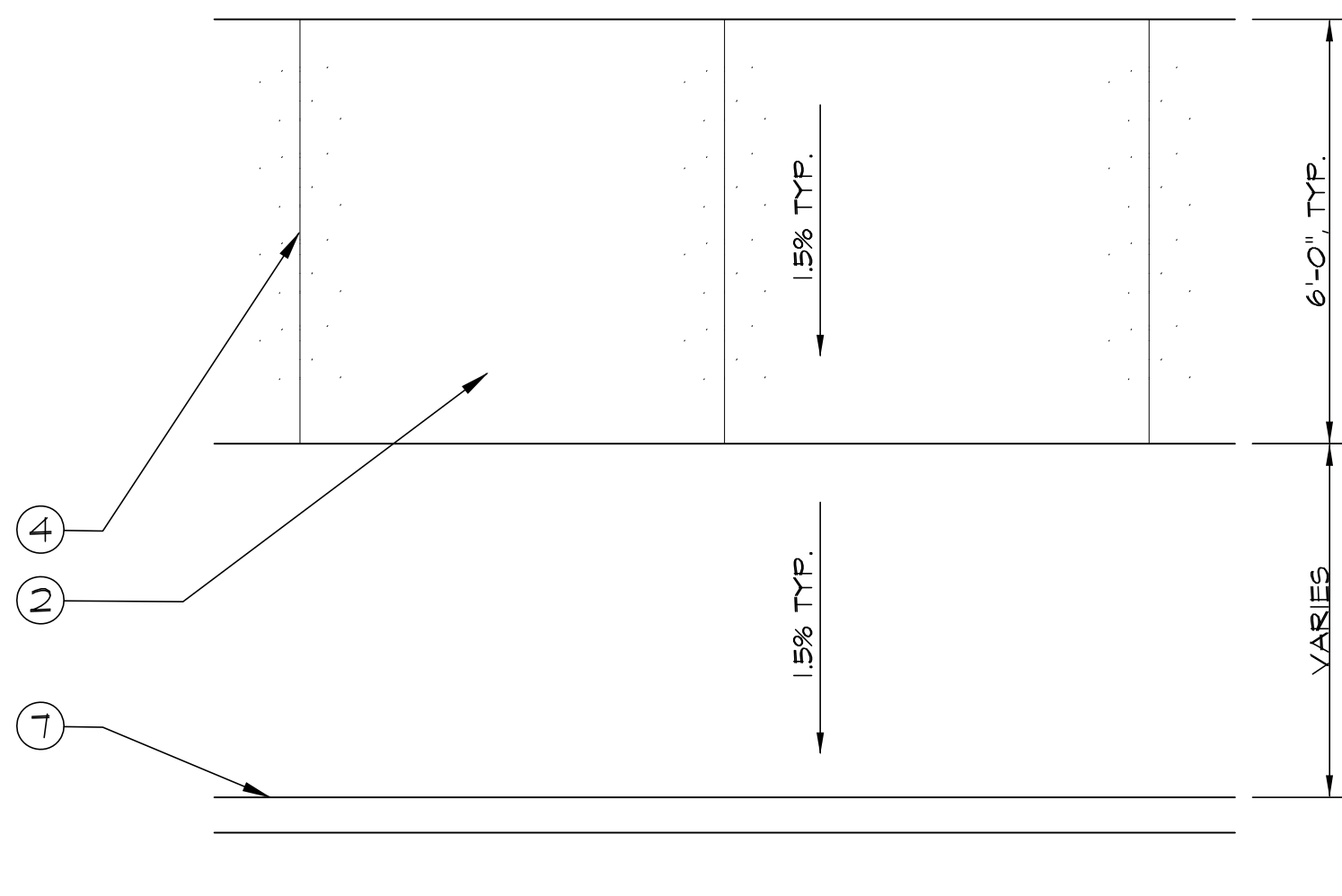
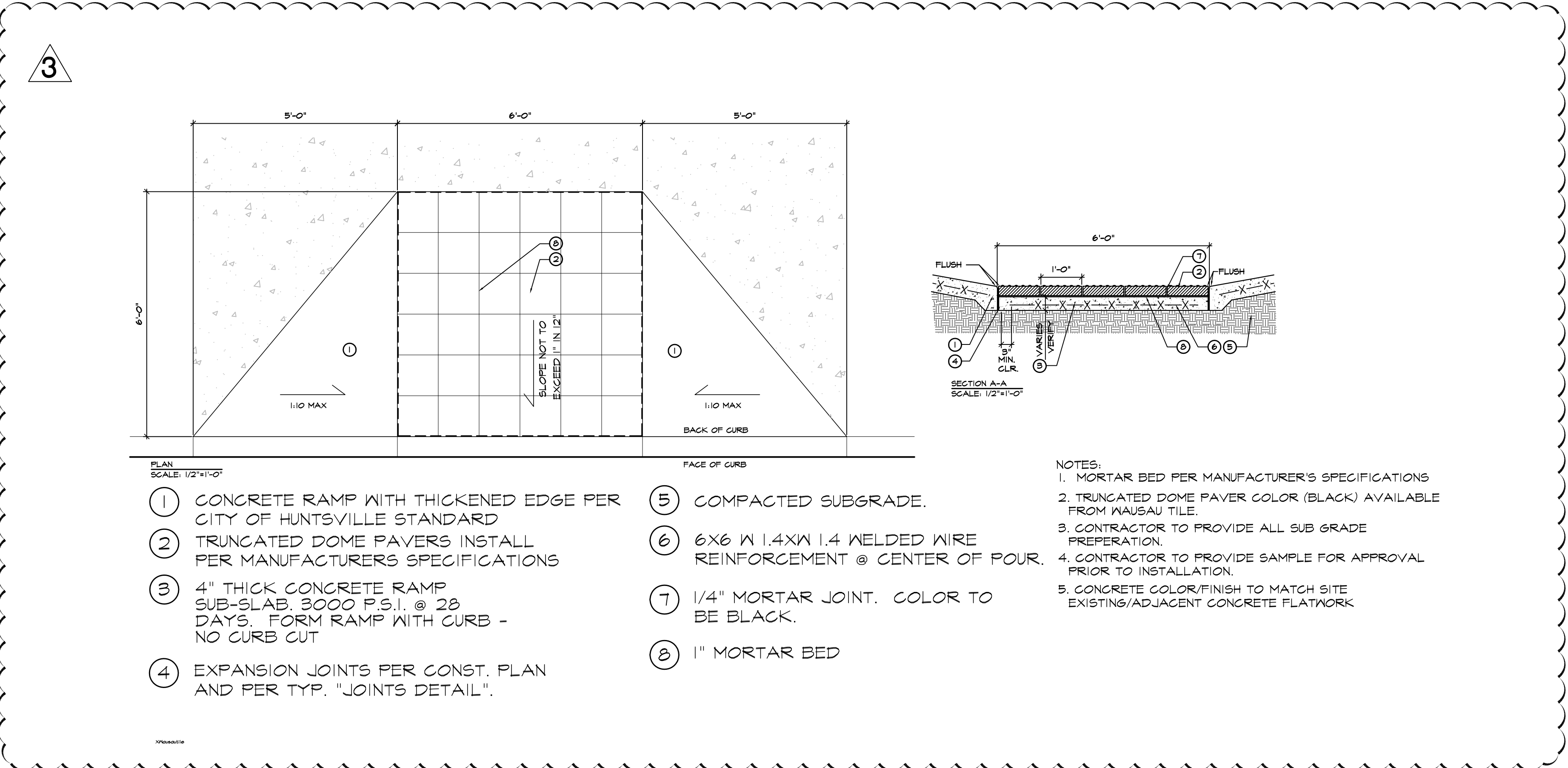


- ① FINISH GRADE 2" @ 6'C. AND 1" @ TURF AREAS, TYP.
- ② 4" THICK NATURAL GREY CONCRETE FLATWORK.
- ③ APPLY 1/2" RADIUS NOSE ON ALL EXPOSED EDGES CONTINUOUS TYP.
- ④ JOINTS PER CONST. PLAN
- ⑤ COMPACTED SUBGRADE.
- ⑥ 6X6 W 1.4XN 1.4 WELDED WIRE REINFORCEMENT @ CENTER OF POUR.
- ⑦ ADJACENT CURB AND GUTTER, PER CIVIL ENGINEER'S PLANS

NOTE:
1. PROVIDE EXPANSION JOINTS AT MAX. 12'-0" O.C. AND INTERMEDIATE SCORE JOINTS @ 6'-0" MAX. O.C. FOR 6'-0" WIDE WALKWAY OR LESS. ALL OTHER JOINT LOCATIONS SEE CONST. PLAN.



PER CITY OF HUNTSVILLE STANDARD DETAIL



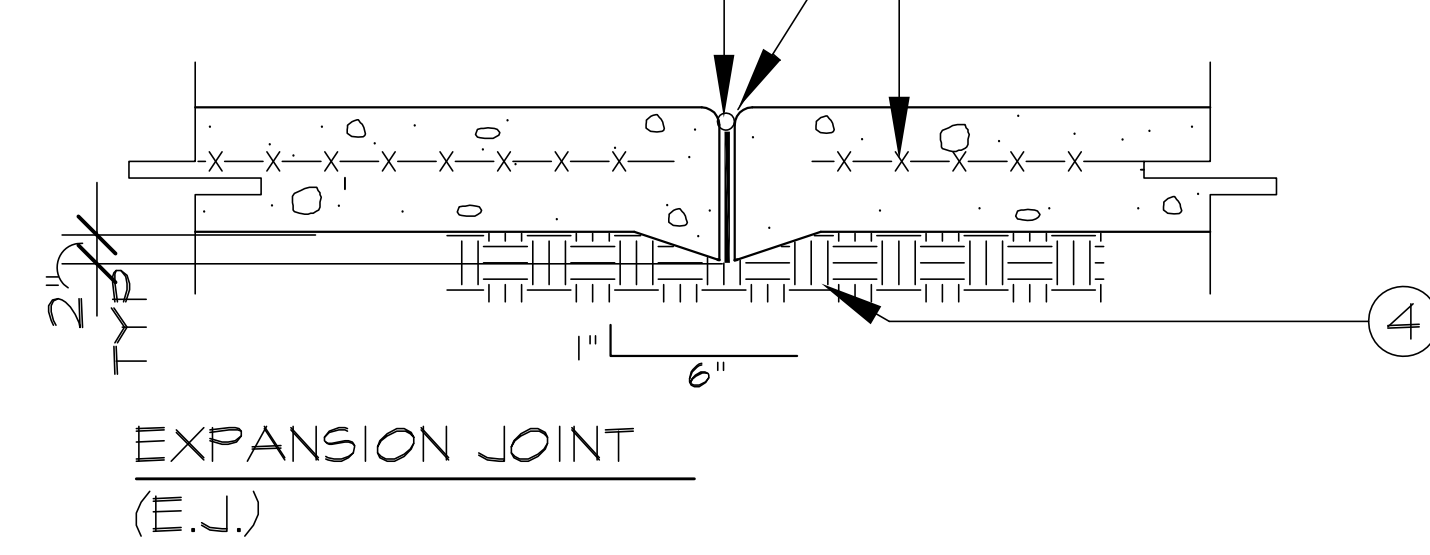
- ① CONCRETE RAMP WITH THICKENED EDGE PER CITY OF HUNTSVILLE STANDARD
- ② TRUNCATED DOME PAVERS INSTALL PER MANUFACTURERS SPECIFICATIONS
- ③ 4" THICK CONCRETE RAMP SUB-SLAB, 3000 P.S.I. @ 28 DAYS. FORM RAMP WITH CURB - NO CURB CUT
- ④ EXPANSION JOINTS PER CONST. PLAN AND PER TYP. "JOINTS DETAIL".
- ⑤ COMPACTED SUBGRADE.
- ⑥ 6X6 W 1.4XN 1.4 WELDED WIRE REINFORCEMENT @ CENTER OF POUR.
- ⑦ 1/4" MORTAR JOINT. COLOR TO BE BLACK.
- ⑧ 1" MORTAR BED

NOTES:
1. MORTAR BED PER MANUFACTURER'S SPECIFICATIONS
2. TRUNCATED DOME PAVES COLOR (BLACK) AVAILABLE FROM MAJSAU TILE
3. CONTRACTOR TO PROVIDE ALL SUB GRADE PREPARATION.
4. CONTRACTOR TO PROVIDE SAMPLE FOR APPROVAL PRIOR TO INSTALLATION.
5. CONCRETE COLOR/FINISH TO MATCH SITE EXISTING/ADJACENT CONCRETE FLATWORK

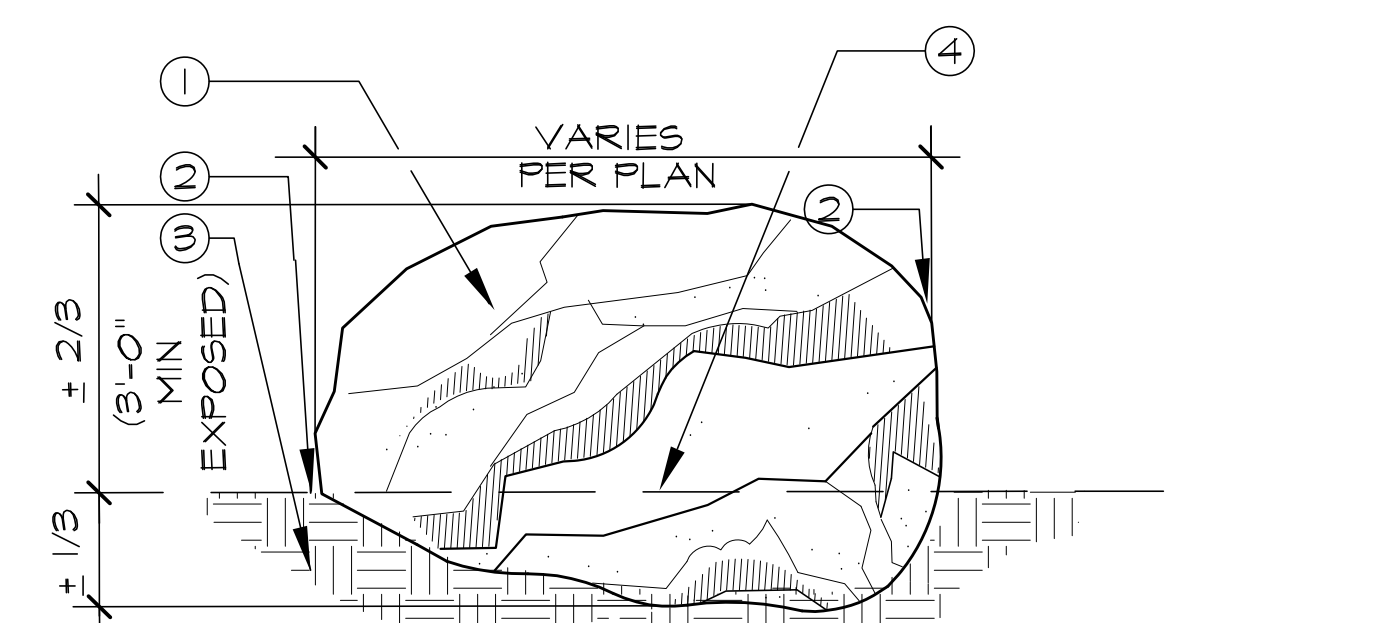
A) CONCRETE SIDEWALK

- ① PRE-MOULDED EXPANSION JOINT FILLER CONFORMING TO ASTM D1751 OR D1752
- ② 1/8" RADIUS @ 1/3 DEPTH OF SLAB TOOLED JOINT, TYP.
- ③ 6X6 W 1.4XN 1.4 WELDED WIRE REINFORCEMENT @ CENTER OF POUR.
- ④ COMPACTED SUBGRADE PER GEOTECHNICAL REPORT, TYP.

NOTE:
1. CONCRETE THICKNESS, STRENGTH, COLOR, FIN. AND REINFORCEMENT PER CONST. PLAN, NOTES, DETAILS, AND GEOTECH
2. PROVIDE 1 LB. OF SUPERNET FIBER REINFORCING BY ECONO MONO OR APPROVED EQUAL PER CU. YD. OF CONC. IN ALL FLATWORK.



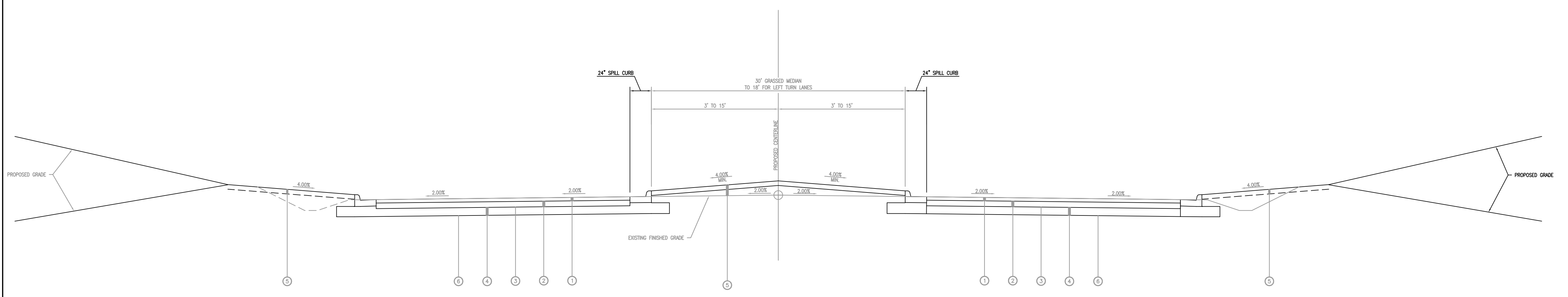
B) ACCESSIBLE RAMP



- ① BOULDER, SEE CONSTRUCTION PLAN FOR LOCATIONS AND SIZE.
- ② FINISH GRADE
- ③ SUBGRADE TO BE COMPACTED PER STRUCTURAL SOILS REPORTS.
- ④ BEYOND PLANTING AREA, SEE CONSTRUCTION PLANS.

NOTES:
1. CONTRACTOR SHALL BE RESPONSIBLE FOR OBTAINING THE BOULDERS SHOWN, INCLUDING: EXCAVATION, CRANE OPERATION, TRANSPORT AND PLACEMENT.
2. ALL BOULDER INSTALLATION SHALL BE DONE UNDER THE DIRECTION OF OWNER AND LANDSCAPE ARCHITECT.
3. CONTRACTOR SHALL REVIEW ALL EXISTING SITE CONDITIONS AND BOULDERS TO BE PLACED AND BE RESPONSIBLE FOR ALL EQUIPMENT AND LABOR REQUIRED TO PERFORM THE COMPLETE INSTALLATION WORK, AS SHOWN. CONTRACTOR SHALL TAKE SPECIAL PRECAUTION TO PROTECT ALL ADJOINING EXISTING STRUCTURES AND IMPROVEMENTS. ANY DAMAGE, REPAIR OR REPLACEMENT COSTS REQUIRED RESULTING FROM THIS SCOPE OF WORK SHALL BE THE RESPONSIBILITY OF THE CONTRACTOR.

C) EXPANSION JOINT **D) BOULDER DETAIL** **MEDIAN ISLAND DETAIL - FOR REFERENCE ONLY**



REDSTONE GATEWAY

REDSTONE GATEWAY REQUIRED MATERIALS LEGEND

LEGEND	ITEM	ITEM DESCRIPTION
①	424-A	SUPERPAVE BITUMINOUS CONCRETE WEARING SURFACE LAYER, 1" MAX AGGREGATE SIZE MAX. (2.5% FINE) A, 105 LB/CF (1.07 TYP)
②	424-A	SUPERPAVE BITUMINOUS CONCRETE UNDER LAYER, 1" MAX AGGREGATE SIZE MAX. (2.5% FINE) A, 550 LB/CF (5.07 TYP)
③	405-A	TACK COAT
④	825	1" CRUSHED AGGREGATE BASE, TYPE B, PLANT MIXED, 4" COMPACTED THICKNESS (2 LAYERS), ADOT SPEC 825.
⑤	600A-000	TOPSOIL 6"
⑥	600B-000	TOPSOIL FROM STOCKPILES
⑦	210A-000	UNCLASSIFIED EXCAVATION OR BORROW EXCAVATION
⑧	210B-000	

C) EXPANSION JOINT

D) BOULDER DETAIL

MEDIAN ISLAND DETAIL - FOR REFERENCE ONLY

HARDSCAPE MATERIALS LIST

SYMBOL	NO.	DESCRIPTION	DETAIL SHEET	MATERIAL	COLOR	FINISH	MANUFACTURER / NOTES
①	①	CONCRETE SIDEWALK	A	LH-7	NATURAL GRAY	MED. BROOM	
②	②	ACCESSIBLE RAMP	B	LH-7	NATURAL GRAY	MED. BROOM	PER CITY OF HUNTSVILLE DETAILS
③	③	LANDSCAPE BOULDERS	D	LH-7	BOULDERS: 3'-0" MINIMUM HEIGHT EXPOSED, TYP. APPROXIMATE SIZES: A=8' DIA., B=5' DIA., C=3' DIA.		BOULDERS SOURCED OFF SITE / PURCHASED. CONTRACTOR TO OBTAIN OWNER / LANDSCAPE ARCHITECT'S APPROVAL PRIOR TO PLACING BOULDERS
④	④	LANDSCAPE BERMS (6" CONTOURS)			UTILIZE ON SITE TOPSOIL		
⑤	⑤	ENTRY POND FOUNTAIN & CONTROL PANEL	LH-8 LH-9				
⑥	⑥	EXPANSION JOINT	C	LH-7			

MANUFACTURES SPECIFICATION AS SHOWN, OR APPROVED EQUAL.

LEYD
Civil and Structural Engineers
Atlanta, Georgia
Birmingham, Alabama
Huntsville, Alabama
www.leyd.com

LESD Project Number: **302-10-002A**

LEYD, Inc.
305 Church Street SW
Suite 719
Huntsville, AL 35801
Phone (256) 533-1575
Fax (256) 533-1244

© copyright 2010
These drawings and design sheets are the property of LEYD. If a third party has not been identified without written permission.

STATE OF ALABAMA
No. 327
BRUNSON
LANDSCAPE ARCHITECT

HUNTSVILLE
The Star of Alabama

GreenView Studio
Landscape Architecture
251.923.7361
info@greenviewstudio.com
www.greenviewstudio.com

PROJECT NO. 65-11-SP24

LANDSCAPE HARDSCAPE DETAILS AND MATERIALS LIST
REDSTONE GATEWAY PACKAGE 1G
CITY OF HUNTSVILLE
HUNTSVILLE, ALABAMA

NO.	DATE	DESCRIPTION	BY	CHKD
1	8/7/11	DM	LS	DLH
2	8/7/11	REV	LS	DLH
3	8/7/11	DM	LS	DLH
4	8/7/11	REV	LS	DLH

Checked By: **LS** Drawn By: **DLH**

Sheet Number: **LH-7** Total Sheets: **29**